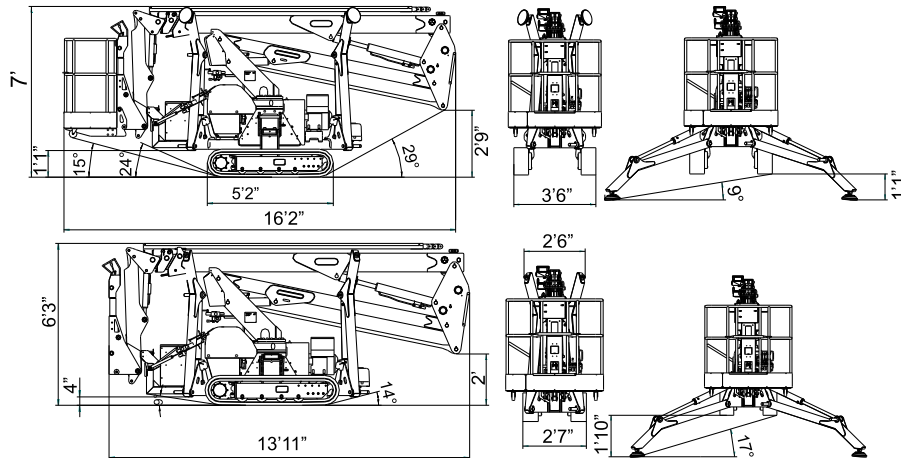
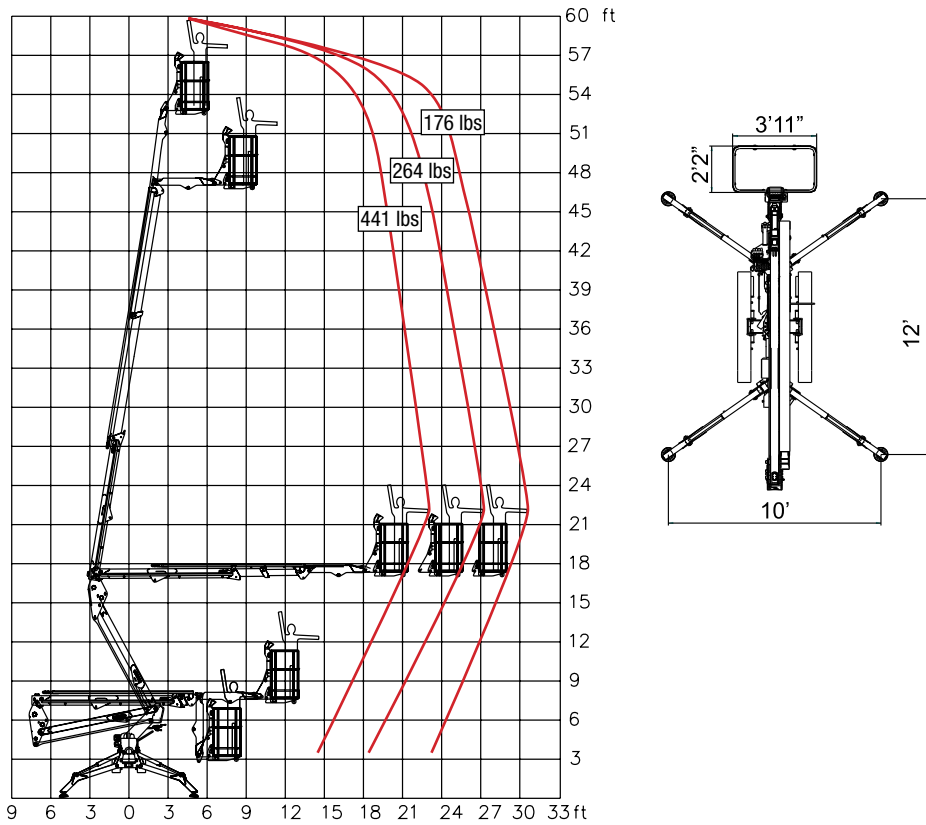


TRACKED LIFTS 18.90

Articulated



DATA DIMENSIONS AND FEATURES ARE INDICATIVE AND NOT BINDING.

TECHNICAL DATA 18.90

Dual-Power

Manufacturer's Model	Platform Basket 18.90
Working Height	60'
Height to Basket Floor	52'5"
Side Reach at 176 lbs	30'10"
Side Reach at 264 lbs	27'1"
Side Reach at 441 lbs	22'9"
Turret Rotation	360°
Basket Dimensions *detachable	3'11" x 2'2" x 3'7"
Length (Transport)	16'2"
Length (without Basket)	13'11"
Width (Min/Max)	2'7"/3'6"
Height Stowed (Min/Max)	6'3"/7'
Outrigger Spread	12' x 10'
Driving Speed	1.25 MPH
Gradeability (Uphill)	27°
Gradeability (Sideslope)	14°
Deployment Slope	17°
Max Capacity	441 lbs
Gasoline Engine (Honda)	13 HP
Total Weight of the Machine	5,290 lbs

STANDARD FEATURES

- Live Hydraulic, Fully Proportional, Hydraulic System with Levers in Basket and at Turret Base
- Electro-Mechanical Safety and Ground Pressure Monitoring System
- Automatic Side Reach Limiting
- Stabilizers/Booms Interblock (Outriggers Disabled once Boom In Operation)
- Articulated Boom with Fly Jib for Greater Versatility
- Black Rubber Tracks
- Variable-Width Undercarriage
- Lock Valves on all the Actuators
- 13 HP Honda Gasoline engine
- 110V Indoor Use, Pollution FREE Hydraulic System
- 110V Outlet in the Basket
- Emergency Hand Pump
- Hour Meter
- 2-man Basket (Easily Removable)
- Removable Outrigger Pads
- Heavy Duty Shield Package
- Air-Water Outlet in the Basket

OPTIONS

- Basket Rotation ±80°
- 1-man Basket (31" wide)
- Emergency 12V Hydraulic System
- White Rubber Non-Marking Tracks
- Custom Colors
- Increased Size of Foot Plates (13.75" Diameter)
- Drive and Stabilization Radio Remote Control

DUAL ELECTRIC BI-POWER 24V BATTERY + 110V FOR DEDICATED INDOOR USE

*Model 18.75 also available: same specs as 18.90 except 4400lb total weight and 27' side reach.