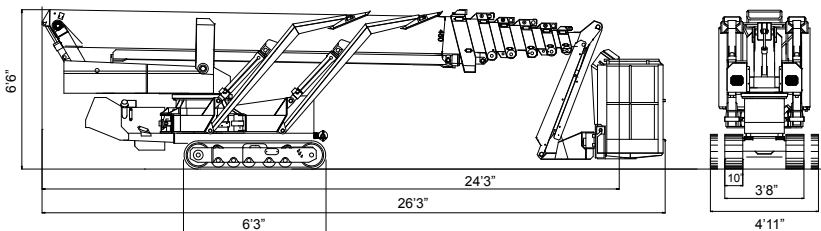
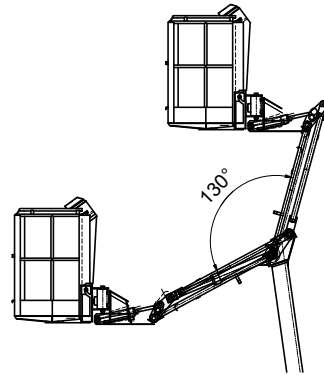
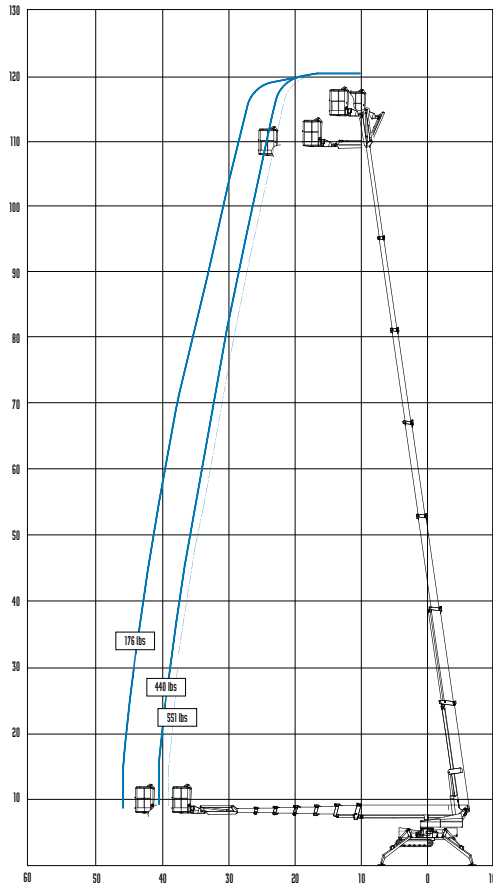


Tracked OMME 3700RJ

Telescopic

Hybrid Power



Outrigger Spread Diagram see page 26.
DATA DIMENSIONS AND FEATURES ARE INDICATIVE AND NOT BINDING.

TECHNICAL DATA 3700RJ

Max. working height, ft	121' 1"
Max. side reach, ft	46'7"
Rotation	± 355°
Max. basket load, lbs	551 lbs at full height
Basket size, ft (w x l x h)	4'1"x2'10"x3'8"
Basket Rotation	± 90
Moveable Jib Range	130°
Battery	24V/400Ah/5h
Charger	24V/30 A
Diesel engine, Kubota D722	14 kW/18.8 hp
Transport length, ft	26'3"
Transport length w/out basket, ft	24'3"
Transport height, ft	6'6"
Transport width, ft (max/min)	3'8"-4'11"
Outrigger Spread-Wide, ft	17'5"/15' (max/min)
Outrigger Spread-Narrow, ft	10'6"/9'4" (max/min)
Total weight, lbs	12,100 lbs
Gradeability - up hill	19.3° (35%)
Gradeability - cross hill	14° (25%)
Deployment ability	16.7° (30%)
Crawler track length, ft	6'3"
110V outlet in basket, Max. 10A	Standard
Variable Width Undercarriage, 3'8" - 4'11"	Standard
Removable Basket	Standard
2nd Electric Drive Motor	Standard
Manual Emergency Lowering	Standard

Battery only (400 Ah) version available

ANSI compliant.

OPTIONS

- >> Fiberglass basket insulated to 1000V
- >> Spotlight in the basket
- >> Intercom
- >> Flashing beacon lights on boom and stabilizers (5)
- >> Radio Remote Control Drive
- >> Auto Leveling
- >> Custom Colors
- >> White Rubber Tracks