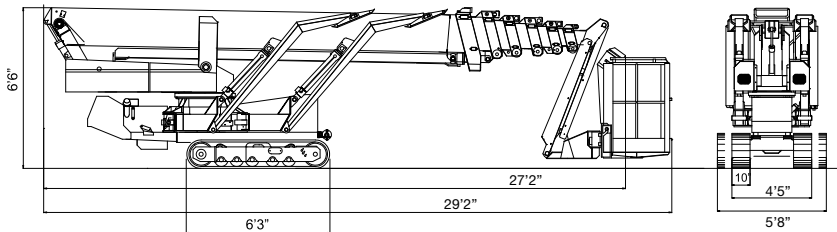
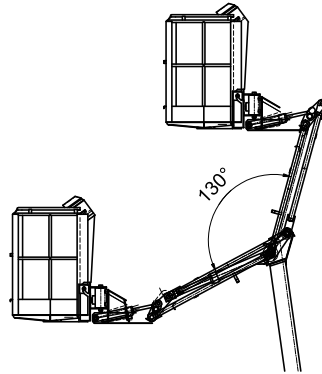
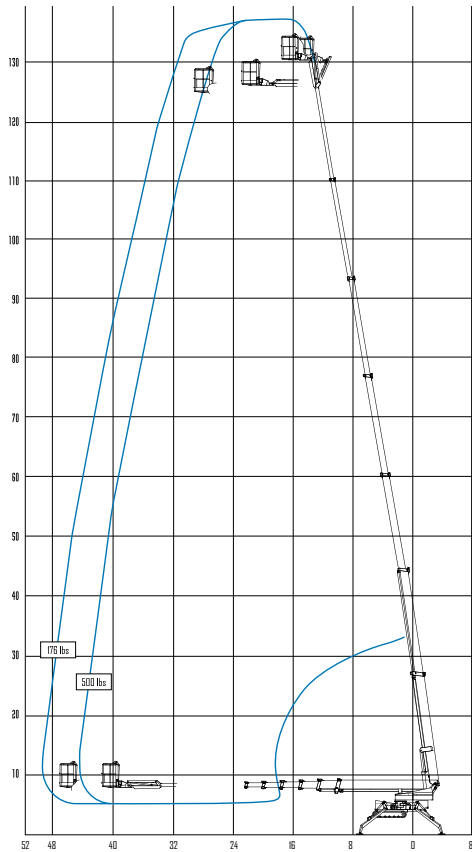


TRACKED LIFTS 4200RJ

Hybrid Power

TECHNICAL DATA 4200RJ



Outrigger Spread Diagram see page 30.
DATA DIMENSIONS AND FEATURES ARE INDICATIVE AND NOT BINDING.

Manufacturer's Model	Omme 4200
Max. working height, ft	137' 8"
Max. side reach, ft	50'
Rotation	± 355°
Max. basket load, lbs	500 lbs at full height
Basket size, ft (w x l x h) *detachable	4'1"x2'10"x3'8"
Basket Rotation	± 41°
Moveable Jib Range	130°
Battery	24V/400Ah/5h
Charger	24V/30 A
Diesel engine, Kubota D722	14 kW/18.8 hp
Transport length, ft	29'2"
Transport length w/out basket, ft	27'2"
Transport height, ft	6'6"
Transport width, ft (max/min)	5'8"-4'5"
Outrigger Spread-Wide, ft	17'5"/14'5" (max/min)
Total weight, lbs	15,003 lbs
Gradeability - up hill	16.7° (30%)
Gradeability - cross hill	15° (27%)
Deployment ability	15° (27%)
Crawler track length, ft	6'3"
230V outlet in basket, Max. 10A	Standard
Variable Width Undercarriage, 4'5" - 5'8"	Standard
2nd Electric Drive Motor	Standard
Manual Emergency Lowering	Standard
Auto Leveling	Standard

Battery only (400 Ah) version available

OPTIONS

- >> Spotlight in the basket
- >> Intercom
- >> Flashing beacon lights on boom and stabilizers (5)
- >> Radio Remote Control Drive
- >> White Rubber Tracks
- >> Custom Colors